

Duroplast angle plug

Perilex

2407110







General information

Item number	2407110
Model	Duroplast angle plug
Colour	white

Electrical parameters

Amperage	16A
Voltage	230/400V
Poles	3P +N+ PE

Standards/Directives

According to	DIN 49445/46
Standard	Perilex
Certification marks	   

Operating conditions

Storage temperature	-15°C to +60°C
Operating temperature	-15°C to +35°C
Relative humidity	5 to 95%, no condensation
Degree of protection	IP20

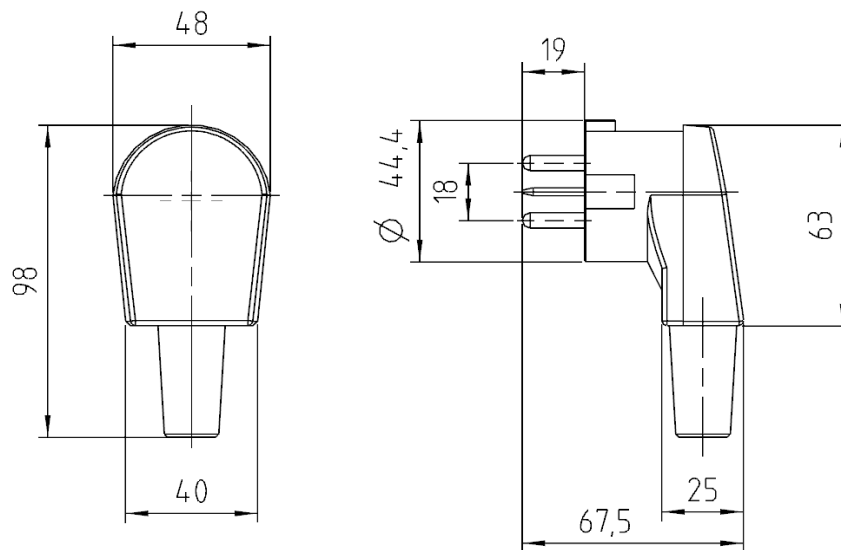
Materials

Contact Carrier	Duroplast
Housing	Duroplast
Halogens	Halogen free according to IEC 61249-2-21

Connection screws

Max. torque for screws L-N/PE	0,5 Nm
Screw drive L-N/PE	Combined slot/PZ1
Max. torque for screws housing	1,2 Nm
Screw drive housing	Combined slot/PZ2
Max. torque for screws strain relief	0,5 Nm
Screw drive strain relief	Combined slot/PZ1

Subject to modifications



If the application requires extended specifications, we recommend to test the application under real or simulated conditions. Parameters like duration, quantity and temperature will effect the result significantly